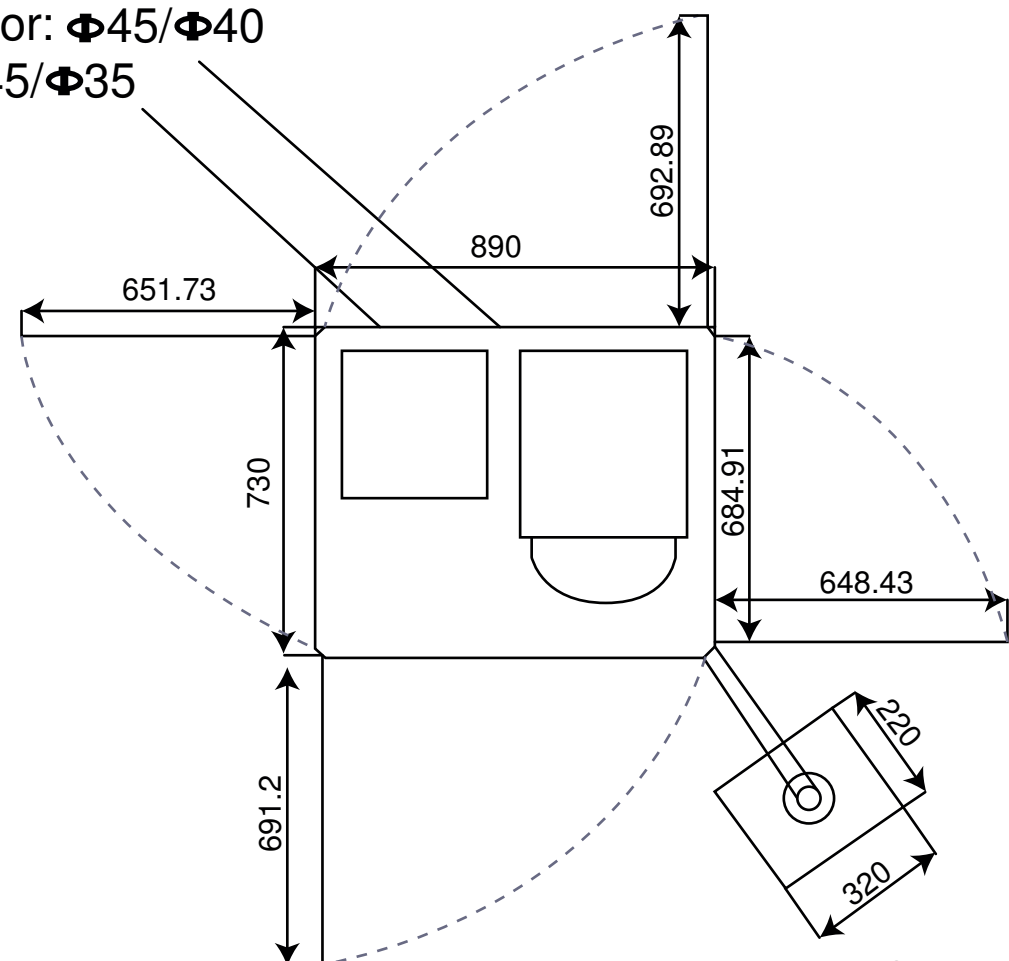


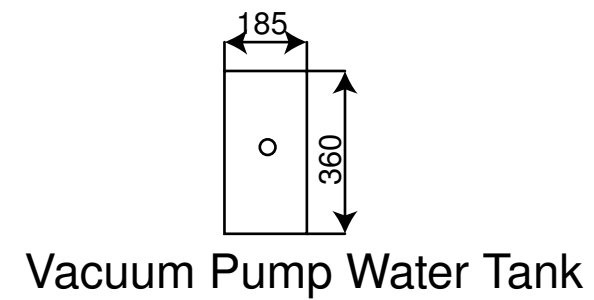
# FACF - 1200 Automatic Capsule Filling Machine

Machine Height: 1980mm

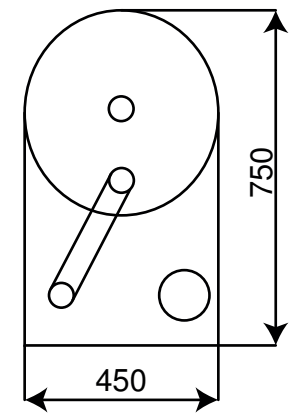
Dust Collector:  $\Phi 45/\Phi 40$   
Vacuum Pump:  $\Phi 45/\Phi 35$



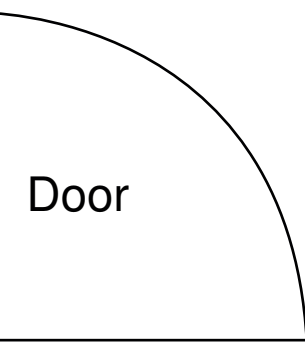
Electrical Control Box



Vacuum Pump Water Tank



Dust Catcher



Door

